

# VOLVO CARS RECOMMENDED EQUIPMENT



**Attrezzatura consigliata**  
***Recommended equipment***  
**Empfohlene Werkstattausrüstung**  
***Equipements conseillé***  
**Equipos recomendados**



COMPANY WITH  
QUALITY SYSTEM  
CERTIFIED BY DNV GL  
= ISO 9001 =



# 2 POST LIFTS

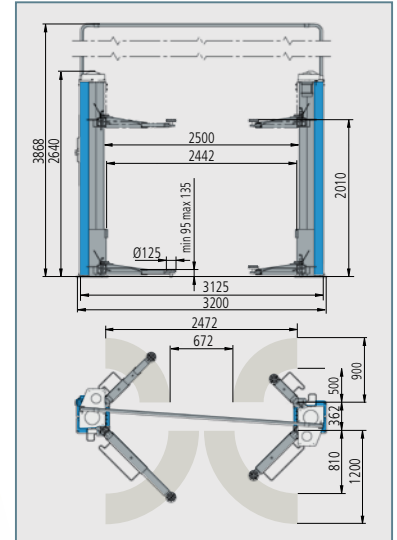


## Electromechanical baseless 2-post lift

**KPX 337WK / 3200 kg**

Volvo specification number: **11.108.01**

**SPJ SE 26123**



## Electrohydraulic baseless 2-post lift

**KPH 370.32K / 3200 kg**

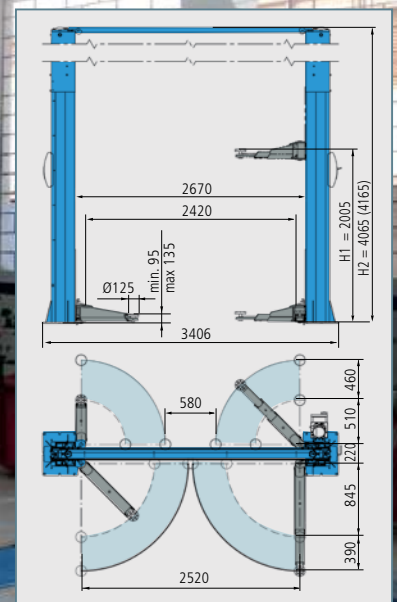
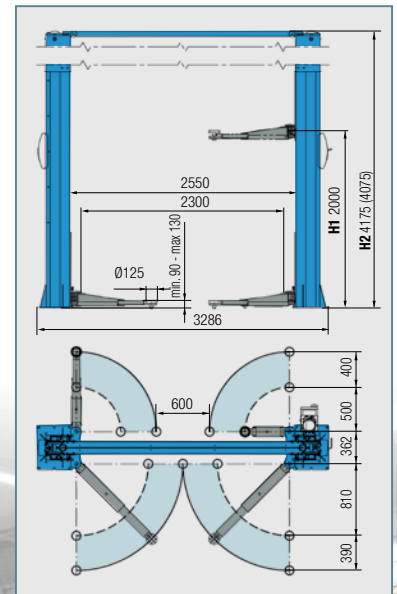
Volvo specification number: **11.108.01**

**SPJ SE 26123**

**KPH 370.42K / 4200 kg**

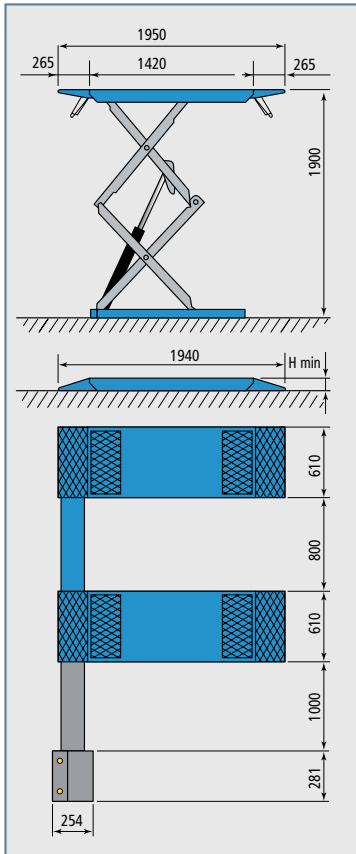
Volvo specification number: **11.108.01**

**SPJ SE 26123**





# LOW PROFILE SCISSOR LIFTS



**RAV 518NL** / 3000 kg (H min = 110 mm)  
**RAV 518T** / 3000 kg (H min = 95 mm)  
**RAV 535** / 3500 kg (H min = 100 mm)  
 Volvo specification number: 0.105.03  
 SPJ 25661



# SCISSOR LIFTS

## Lifts with flat platforms

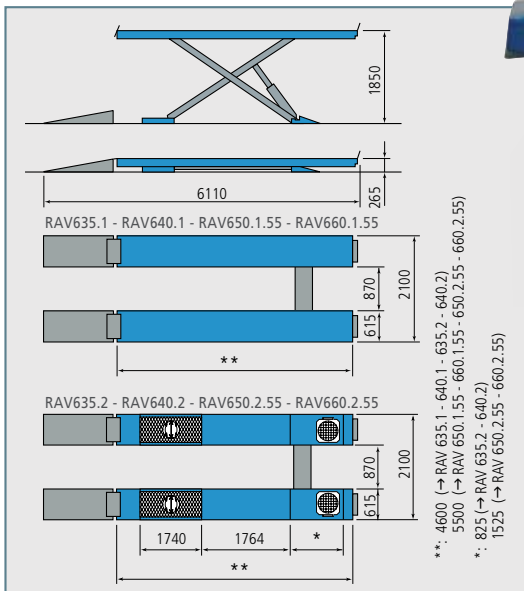
**RAV 635.1** / 3500 kg  
**RAV 640.1** / 4000 kg  
**RAV 650.1.55** / 5000 kg  
**RAV 660.1.55** / 6000 kg

Volvo specification number: 0.105.03  
 SPJ 25662

## Wheel alignment lifts

**RAV 635.2** / 3500 kg  
**RAV 640.2** / 4000 kg  
**RAV 650.2.55** / 5000 kg  
**RAV 660.2.55** / 6000 kg

Volvo specification number: 0.105.03  
 SPJ 25662



## Jacking Beam

**J20PNX** / 2000 kg air-hydraulic  
**J20PNXL** / 2000 kg air-hydraulic large  
**J30PRL** / 3000 kg air-hydraulic large  
 Volvo specification number: 0.103.03

Air-hydraulic scissor wheel-free jack





# IN GROUND PISTON LIFTS



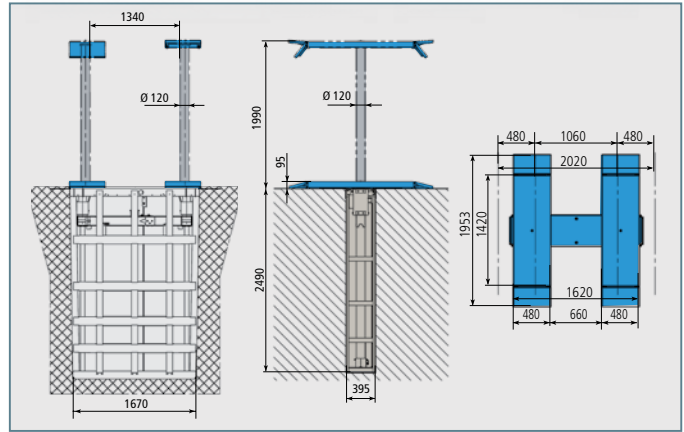
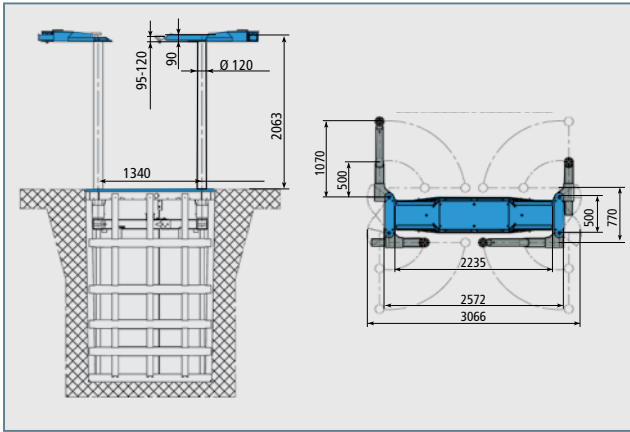
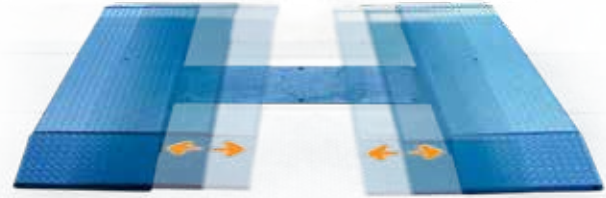
## RAV 1110NK / 3500 kg

Version with lifting arms  
S1110A5 - Complete waterproof frame  
Volvo specification number: 11.110.01  
SPJ SE 26125



## RAV 1120M / 3500 kg

Lift with adjustable track of pick up supports  
S1110A5 - Complete waterproof frame  
Volvo specification number: 11.110.01  
SPJ SE 26125



# 4 POST LIFTS - OPEN FRONT

## Lifts with flat platforms

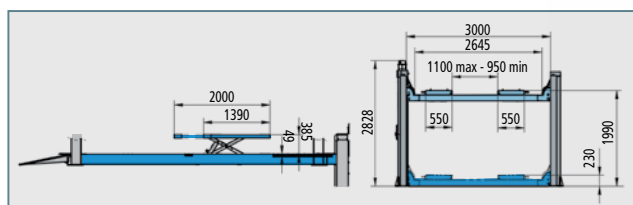
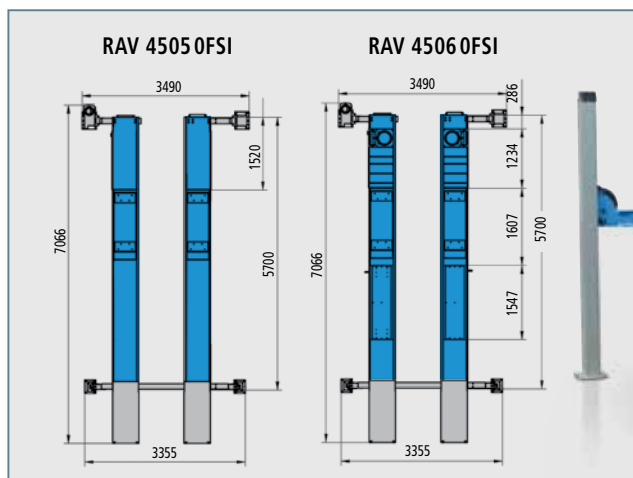
## Wheel alignment lifts

### RAV 4505OFSI / 5000 kg

Volvo specification number: 0.103.03  
SPJ SE 25660

### RAV 4506OFSI / 5000 kg

Volvo specification number: 0.103.03  
SPJ SE 25660





## Versions with flat platforms

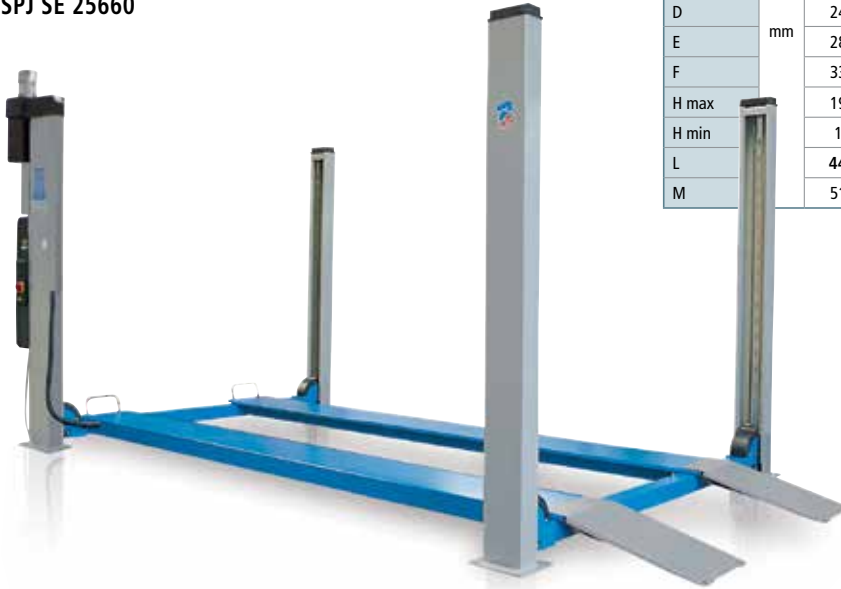
**RAV 4401 / 4000 kg**

**RAV 4405E / 4000 kg**

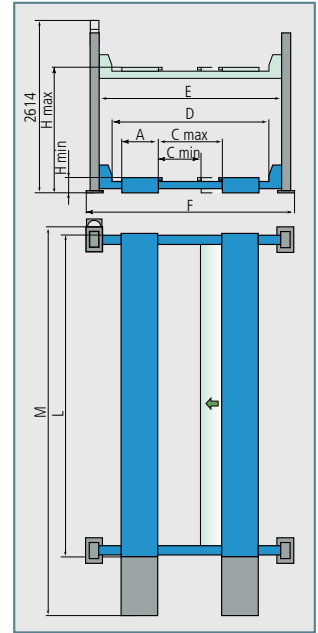
**RAV 4501E / 5000 kg**

Volvo specification number: **0.103.03**

**SPJ SE 25660**



Technical Data				
		RAV 4401	RAV 4405E	RAV 4501E
Capacity	kg	4000		5000
Motor	kW	2,6		
Dimensions				
A	mm	500	530	
C max		1250		1180
C min		910	860	786
D		2470	2670	2645
E		2800	3000	
F		3365	3355	
H max		1905	1915	
H min		150	160	
L		4460	5100	5700
M		5190	6170	6670



## Versions for full wheel alignment

**RAV 4402 / 4000 kg**

**RAV 4406E / 4000 kg**

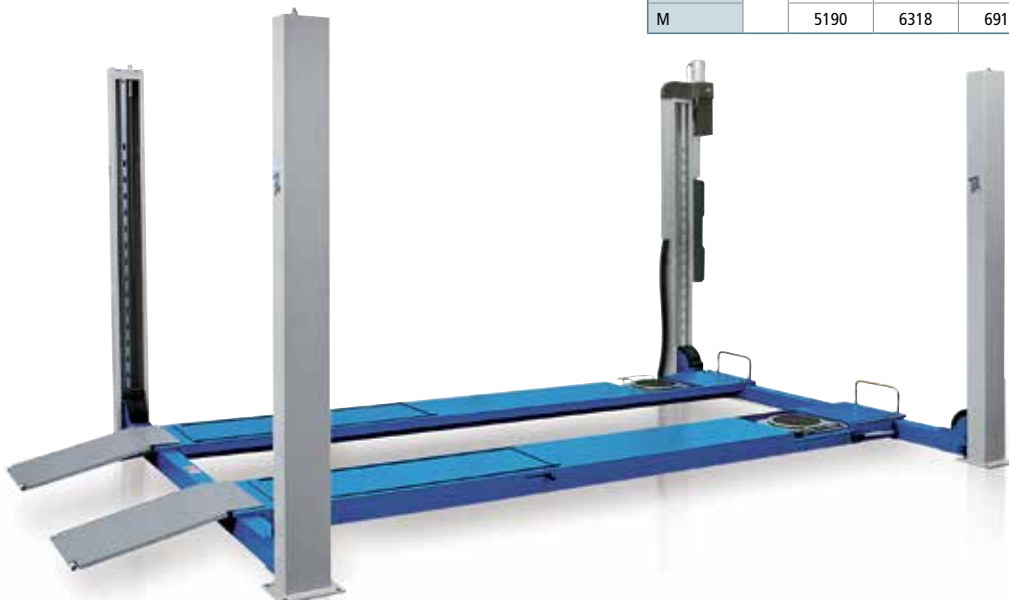
Platforms for total wheel alignment with front turning plates locations and rear slip plates.

**RAV 4502E / 5000 kg**

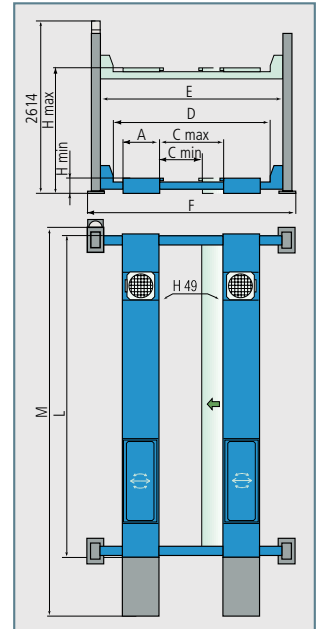
Extra-long platforms for total wheel alignment with front turning plates locations and rear slip plates.

Volvo specification number: **0.103.03**

**SPJ SE 25660**



Technical Data				
		RAV 4402	RAV 4406E	RAV 4502E
Capacity	kg	4000		5000
Motor	kW	2,6		
Dimensions				
A	mm	530		
C max		1210	1225	1180
C min		860	853	786
D		2470	2670	2645
E		2800	3000	
F		3365	3355	
H max		1915	1965	
H min		160	210	
L		4460	5100	5700
M		5190	6318	6913





# WHEEL ALIGNMENT - CCD CAMERAS



## RAVTD1780WS

8-CCD sensor wheel aligner.  
Volvo specification number: 6.101.03  
SPJ SE 25716

Infra-red transmission among measuring heads. Bluetooth transmission between front measuring heads and control unit. Maximum mobility between different working positions thanks to the absence of cables and any fix structure.



### STANDARD

- 1 control unit with PC, key-board, printer and battery-charger
- 2 front measuring heads
- 2 rear measuring heads
- 2 pair of four point clamps
- 1 pair of S110A7 turn tables
- 1 brake pedal depressor
- 1 steering wheel lock
- Instruction manual on CD

Recommended accessories:

**STDA72** (2 set)  
24" to 28" extensions for 2 clamps



# WHEEL ALIGNMENT - 3D

## RAVTD3000HP.B

3D wheel aligner.  
Volvo specification number: 6.101.03  
SPJ SE 25716



Premium cabinet  
3-point clamps



Quick battery change.



Keyboard with remote-control function.

Recommended accessories:

**STDA72** (2 set) - 24" to 28" extensions for 2 clamps

## RAVTD3000S.B

3D wheel aligner.  
Volvo specification number: 6.101.03  
SPJ SE 25716



Space saver cabinet  
4-point clamps



Can be used on any 4 post or scissors lift.  
Automatic lift level compensation.



2 universal supports included





# BRAKE TESTER



## RAV RT009/4SE

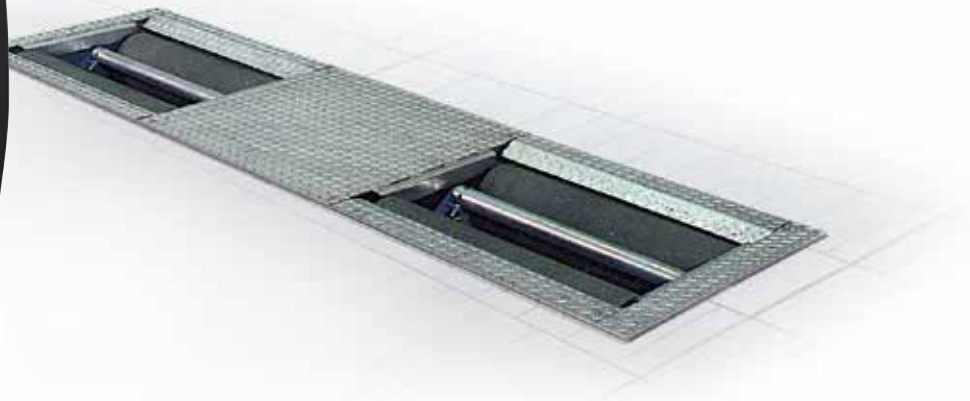
Computerised control unit  
with colour TFT monitor 17".

Volvo specification number: 5.101.05  
SPJ SE 25715



## RAV RT102N

Roller brake tester  
Motors: 4,7 + 4,7 kW  
Breaking measurement up to 6000N  
Available also with selfbraking  
motors and built-in weighting unit.



# WHEEL BALANCERS

## G3.140RS

Professional wheel balancer with  
automatic distance and diameter  
measurement.  
Colour monitor TFT 19" with industrial PC.  
Complete with wheel hood, car cones  
and quickfit nut.

Volvo specification  
number: 7.101.04  
SPJ 25717



RS models include ① + ② + ③

## G2.119

Professional wheel balancer with  
automatic distance and diameter  
measurement.  
LCD display 132x40 mm.  
Complete with wheel hood,  
car cones and quickfit nut.

Volvo specification  
number: 7.101.04  
SPJ 25717



Recommended accessories:  
**GAR131H** - Universal flange

## G 1150.30 MAGIC

- Leverless tyre changer with:
- center locking
  - plastic tool
  - variable speed motor
  - inflation device

Max rim diameter: 10"-30"  
 Maximum tyre width: 15"  
**PLUS93** - Helping arm  
**G1000A127** - Wheel lift

Volvo specification number: **7.102.04**  
**SPJ SE 25718**

The bead-breaking is performed by means of an EASY ROLLER:

- bead-breaking in correct position
- easy rotation of the roller
- automatic side-movement of the roller
- memorized position for bead breaking of wheel lower side

### Bead Breaking



### Tyre Demounting

### Tyre Mounting



## G7645.26

Automatic tyre changer with tilting column.  
 External self-centering lock: 10"-26"  
 Internal self-centering lock: 12"-28"  
 Maximum tyre width: 17"

Volvo specification number: **7.102.04**  
**SPJ SE 25718**



## G7645IV.26 + PLUS83N

Automatic tyre changer with:

- tilting column
- a large and reinforced frame
- with 2 speed motor
- inflation device

External self-centering lock: 10"-26"  
 Internal self-centering lock: 12"-28"  
 Maximum tyre width: 17"  
**PLUS83N** - Helping arm

Volvo specification number: **7.102.04**  
**SPJ SE 25718**



Recommended accessories:  
**G800A6** - 4 clamp protections  
**G800A8** - Tool protection  
**G800A11** - Bead breaker protection